



# ANTLIA XL

## ELECTROPNEUMATIC CONVERTER



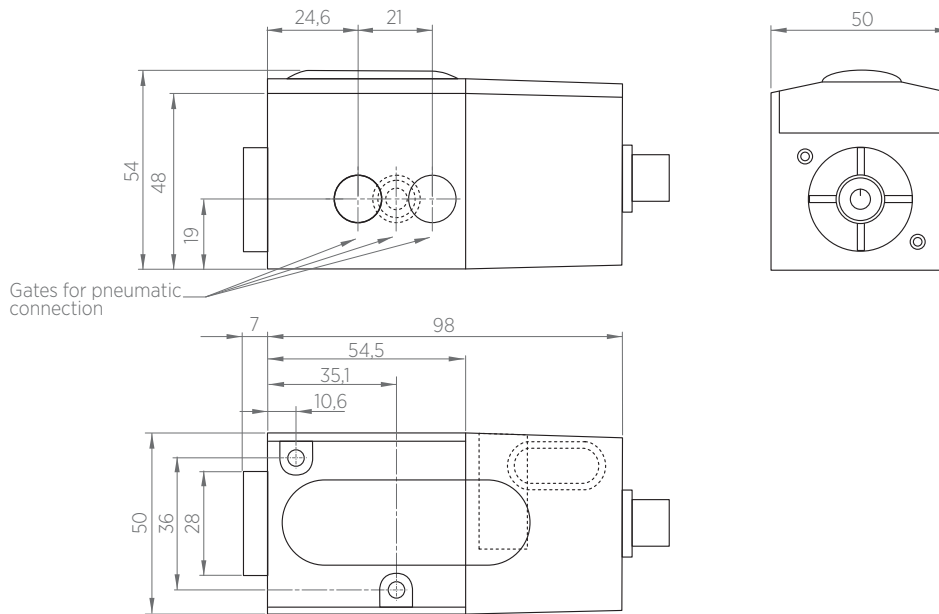
- ✓ Closed-loop transducer
- ✓ Control of both closed-loop and open-loop web tension regulation systems
- ✓ Used with pneumatic brake or clutch
- ✓ High flow
- ✓ Fast response time

Antlia XL is an electropneumatic converter, which help you to obtain highest tension precision of the web; recommended for the excellent price/performance ratio, it can be used both on open-loop and closed-loop systems.

Thanks to its compact dimension (54x50x98 mm) it can be easily installed near the brake or the clutch it is connected to, in order to obtain the maximum performance. Antlia XL is supplied complete with a air filter to remove liquid or solid foreign matters.

Antlia XL proportionally transforms an input electric signal into a pneumatic signal.

## TECHNICAL DRAWING



## TECHNICAL DATA

Power supply	24 Vdc
Input signal	0÷10V
Working temperature	-20÷50°C
IP protection class	IP65
Electromagnetic compatibility with CE requirements emissions immunity	Emissions EN50081-2: 1994 Immunity EN50082-2: 1995

### Pneumatic connections

Supply over max output pressure	2 bar (29 psi) min
Output pressure	0÷6 bar (0÷90 psi) max - different output on request
Fluid	oil free, dry air, filtered to 5 microns
Connections	1/4" NPT

\*Data are subject to technical change without notice